



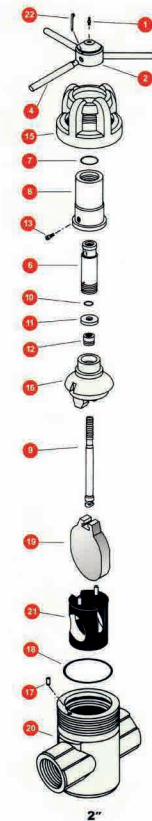
DEMCO® DM STYLE GATE VALVES



www.m-o-t.com

MAJOR & MINOR REPAIR KIT 2", 5,000 PSI

2" 5000 W.P (REDUCED PORT)		5000 WP		
REF	DESCRIPTION	WT	2"	2"
1	LUBE FITTING Steel	1#	5195	
2	HUB ASSEMBLY Steel	5#	14687	
4	LOCK HANDLE Steel	1#	1891	
6	STEM SCREW Steel	3#	1913	
7	STEM SCREW SEAL ■ Buna N	1#	5530 - 224	
8	SCREW HOUSING Steel	4#	1848	
9	STEM ■ 303 SS ■ 316 SS	1#	1931 - 002 1931 - 008	
10	SSECONDARY SEAL ■ Buna N	1#	5530 - 210	
11	RETAINER ■ Steel	1#	1940	
12	STEM SEAL ASSEMBLY (Includes Bronze Bushing) ■ Buna N ■ Viton	1#	1949 - 001 1949 - 006	
13	LOCK SCREW Steel	1#	5665 - 22004	
15	COUPLING WCB Steel	16#	1446 - 020	1445 - 030
16	BONNET ANSI 1029 Steel Uncoated	7#	1237-020	
17	INDEX PIN Steel	1#	1981	
18	BONNET SEAL ● Buna N ■ Viton	1#	5530 - 342 5531 - 342	
19	GATE ● Steel, Nickel Plated ■ 316 SS	3#	1887 - 002 1887 - 008	
20	BODY, UNCOATED Steel	29#	1285 - 020	1271 - 030
	SCREWED - API -LP FULL PORT	29#	1307 - 120	1309 - 130
	WELD - SCH 80 - SCH XXH - SCH 160		1307 - 220	1309 - 230
	FLANGED - RTJ	73#	1307 - 520	1309 - 530
21	SEAT Steel	1.5#	1876 - 021	1876 - 021
	● - Buna N ■ - Viton		1876 - 022	1876 - 022
	316 ss	1.5#	1876 - 081	1876 - 081
	- Buna N - Viton		1876 - 082	1876 - 082
22	PIN, LOCK HANDLE Steel	1#	5420 - 18728	
▲	REPAIR KIT 2" ● MINOR REPAIR KIT (3 PIECES) ■ MAJOR REPAIR KIT (8 PIECES)		5,000 PSI MJ02521601221 MJ02521611221	



 @midlandoiltool
  @midlandoiltools
 

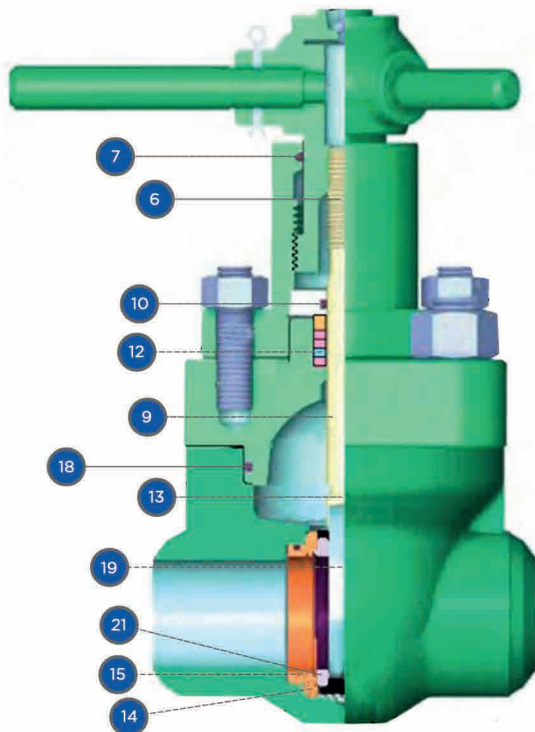
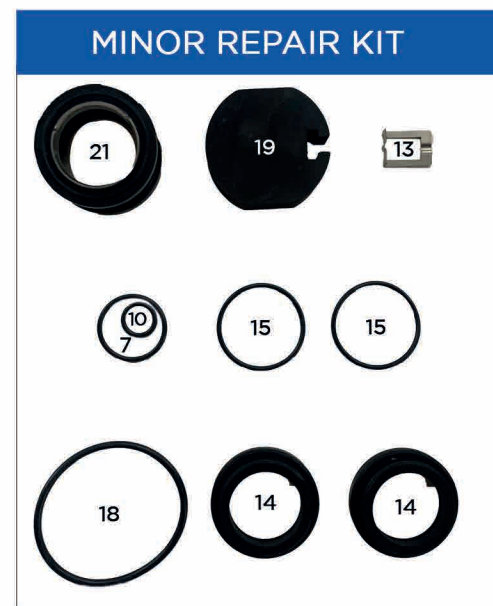

 www.m-o-t.com

MAJOR & MINOR REPAIR KIT 2", 7,500 PSI




MAJOR REPAIR KIT			
	PART #	DESCRIPTION	QTY
6	DGV - J001913	Stem Screw	1
7	DGV - J005526-224	Housing Seal	1
9	DGV - J024983-107	Stem	1
10	DGV - 2712425-13	Secondary Seal	1
12	DGV - J023231-008	Stem Seal Assembly	1
	DGV - J023231-006	(with bronze bushing)	
13	DGV - M450480	Gate Clip	1
14	DGV - 2269414-01	Body Wear Ring	2
15	DGV - 2712425-18	Wear Ring Seal	2
18	DGV - 2712425-60	Bonnet Seal	1
19	DGV - 2269412-01	Gate	1
21	DGV - J2269403-01	Seat	1



MINOR REPAIR KIT			
	PART #	DESCRIPTION	QTY
13	DGV - M450480	Gate Clip	1
14	DGV - 2269414-01	Body Wear Ring	2
15	DGV - 2712425-18	Wear Ring Seal	2
18	DGV - 2712425-60	Bonnet Seal	1
19	DGV - 2269412-01	Gate	1
21	DGV - 2269403-01	Seat	1



MAJOR & MINOR REPAIR KIT 3", 5,000 PSI

3" 5000 W/P (REDUCED PORT)		5000 WP	
REF	DESCRIPTION	WT	3" 3"
1	LUBE FITTING Steel	1#	5195
2	HUB ASSEMBLY Steel	10#	14688
4	LOCK HANDLE Steel	1#	1892
6	STEM SCREW Steel	1#	1914 - 003
7	STEM SCREW SEAL Buna N	1#	5530 - 226
8	SCREW HOUSING Steel	6#	1852
9	STEM 303 SS 316 SS	1#	1932 - 002 1932 - 008
10	SDECONDARY SEAL Buna N	1#	5530 - 212
11	RETAINER Steel	1#	1941
12	STEM SEAL ASSEMBLY (Includes Bronze Bushing) Buna N Viton	1#	1950 - 001 1950 - 006
16	BONNET A148 Steel Uncoated	7#	1980-030
18	BONNET SEAL Buna N Viton	1#	5530 - 433 5531 - 433
19	GATE Steel, Nickel Plated 316 SS	3#	1886 - 002 1886 - 008
20	BODY, UNCOATED Steel SCREWED - API -LP FULL PORT	71#	1281 - 030 1271 - 030
	WELD - SCH 80 - SCH XXH - SCH 160	80#	1767 - 130 1266 - 130 1767 - 230 1266 - 230 1767 - 530 1266 - 530
	FLANGED - RTJ	146#	1455 - 130 1510 - 230
	WELD - REG PORT - SCH 80 - SCH XXH - SCH 160	80#	1282 - 130 1267 - 130 1282 - 230 1267 - 230 1282 - 530 1267 - 530
21	SEAT Steel - Buna N - Viton 316 SS - Buna N - Viton	4# 8# 4# 8#	1878 - 021 1878 - 021 1878 - 022 1878 - 022 1878 - 081 1878 - 081 1878 - 082 1878 - 082
22	PIN, LOCK HANDLE Steel	1#	5420 - 18732
23	BONNET STUD (2 REQUIERED) A193 B7 Steel	1#	2066
24	BONNET STUD NUT (2 REQUIERED) Carbon Steel A194 2 H	6#	53251 - 034
25	BODY STUD (4 REQUIERED) A193 87 Steel	2#	32076
26	BONNET STUD NUT (4 REQUIERED) Carbon Steel A194 2 H	5#	53251 - 144
 REPAIR KIT 3"  MINOR REPAIR KIT (3 PIECES)  MAJOR REPAIR KIT (8 PIECES)		5,000 PSI MJ02521603221 MJ02521613221	



@midlandoiltool

@midlandoiltools



www.m-o-t.com

MAJOR & MINOR REPAIR KIT 3", 7,500 PSI

MAJOR REPAIR KIT

	PART #	DESCRIPTION	QTY
4	DGV - M450505	Gate Clip	1
5	DGV - JN01951-008	Stem Seal Assembly (with Bronze Bushing)	1
6	DGV - 213597-01	Stem	1
10	DGV - 2712789-07	Bonnet Seal	1
12	DGV - 2139744-01	Seat	1
13	DGV - 2171112-01	Gate	1
14	DGV - J005526-224	Housing Seal	1
15	DGV - M452571	Body Wear Ring	2
16	DGV - 2712783-03	Wear Ring Seal	2
18	DGV - 213600-01	Stem Screw with Bearings	1
20	DGV - 2712425-01	Secondary Seal	1

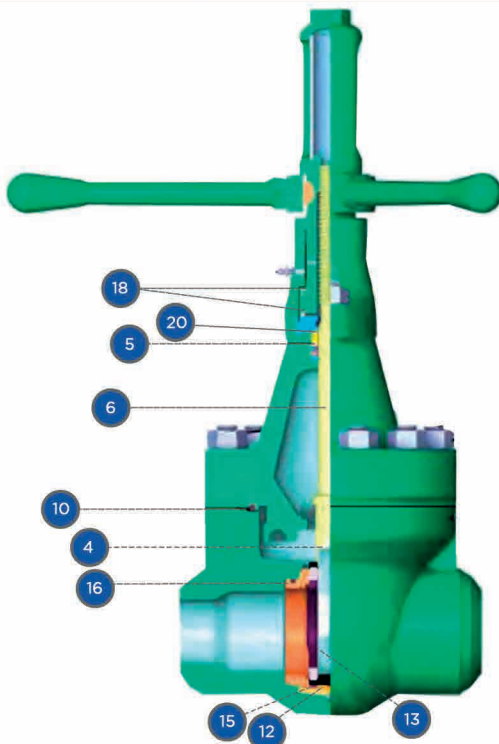
MAJOR REPAIR KIT



MINOR REPAIR KIT

	PART #	DESCRIPTION	QTY
4	DGV - M450505	Gate Clip	1
10	DGV - 2712787-07	Bonnet Seal	1
12	DGV - 2139744-01	Seat	1
13	DGV - 2171112-01	Gate	1
15	DGV - M452571	Body Wear Ring	2
16	DGV - 2712783-03	Wear Ring Seal	2

MINOR REPAIR KIT



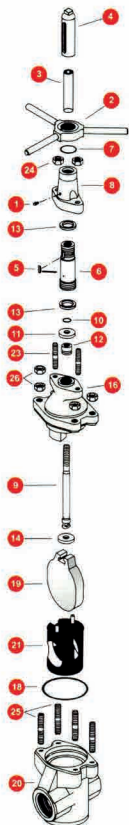
 @midlandoiltool
  @midlandoiltools
 






 www.m-o-t.com

MAJOR & MINOR REPAIR KIT 4", 5,000 PSI

4" 5000 W.P. (REDUCED PORT)			
REF	DESCRIPTION	WT	5" X 4"
1	LUBE FITTING Steel	1#	5195
2	HANDLE ASSEMBLY Steel	11#	7414
3	ACT TUBE Acrylic	1#	7459
4	STEM CAP Ductile Iron	3#	7411
5	KEY Steel	1#	5305 - 10016
6	STEM SCREW Steel	4#	7416
7	STEM SCREW SEAL Buna N	1#	5530-226
8	SCREW HOUSING Steel	9#	7418
9	STEM 303 SS 316 SS	3# 3#	7439 - 002 7439 - 008
10	SECONDARY SEAL Buna N	1#	5530 - 214
11	RETAINER Steel	1#	7413
12	STEM SEAL ASSEMBLY (Includes Bronze Bushing) Buna N Viton	2#	1951 - 001 1951-006
13	BEARING (2) Teflon/Phenolic	1#	7426
14	DOWN STOP RING 303 SS	1#	7417
16	BONNET ANSI 1029 Steel Uncoated	62#	7419 - 030
18	BONNET SEAL Buna N Viton	1# 1#	5530 - 439 5531 - 361

4" 5000 W.P. (REDUCED PORT)			
REF	DESCRIPTION	WT	5" X 4"
19	GATE Steel, Nickel Plated 316 SS	9#	1926 - 002 1926 - 008
20	BODY * UNCOATED Steel SCREWED - API LP FULL PORT WELD - FULL PORT 4" - SCH 80 - SCH XXH - SCH 160 FLANGED - RTJ WELD - REG. PORT - 5" X 4" - SCH 80 - SCH XXH - SCH 160 WELD - REG. PORT - 5" X 4" - SCH 80 - SCH XXH - SCH 160	120# 120# 260# 116# 114#	1246 - 030 1288 - 130 1288 - 230 1288 - 530 17288 - 230 1249 - 130 1249 - 230 1249 - 530 17287 -130 17287 - 230 17287 - 530
21	SEAT Steel - Buna N 316 SS - Viton 316 SS - Buna N 316 SS - Viton	6# 6#	2207 - 021 2207 - 022 2207 - 081 2207 - 082
23	BONNET STUD (2) A 193 B7 Steel	1#	2072
24	BONNET STUD NUT (2) Carbon Steel A 194 2H	1#	53251 - 036
25	BODY STUD (4) AISI 4140 HT Steel	5#	2077
26	BODY STUD NUT (4) Carbon Steel AISI 414004142	2#	15432
	BONNET ASSEMBLY With Gate	102#	1890
REPAIR KIT 4" Steel, Nickel Plated 316 SS Steel - Buna N Viton Buna N Viton A 193 B7 Steel Carbon Steel A 194 2H AISI 4140 HT Steel Carbon Steel AISI 414004142 With Gate			5,000 PSI MJ02521604221 MJ02521614221




 @midlandoiltool  @midlandoiltools 

 www.m-o-t.com

MAJOR & MINOR REPAIR KIT 4", 7,500 PSI

MAJOR REPAIR KIT

	PART #	DESCRIPTION	QTY
4	DGV - M450505	Gate Clip	1
5	DGV - J015853-008	Stem Seal Assembly	1
	DGV - J015853-006	(with bronze Bushing)	
6	DGV - 2140684-01	Stem	1
10	DGV - 2712426-11	Bonnet Seal	1
12	DGV - 2139746-01	Seat	1
13	DGV - 2171267-01	Gate	1
14	DGV - J005526-228	Housing Seal	1
15	DGV - M452290	Body Wear Ring	2
16	DGV - 2712787-04	Wear Ring Seal	2
18	DGV - J0023888	Stem Screw with Bearings	1
20	DGV - 2726268-01	Secondary Seal	1

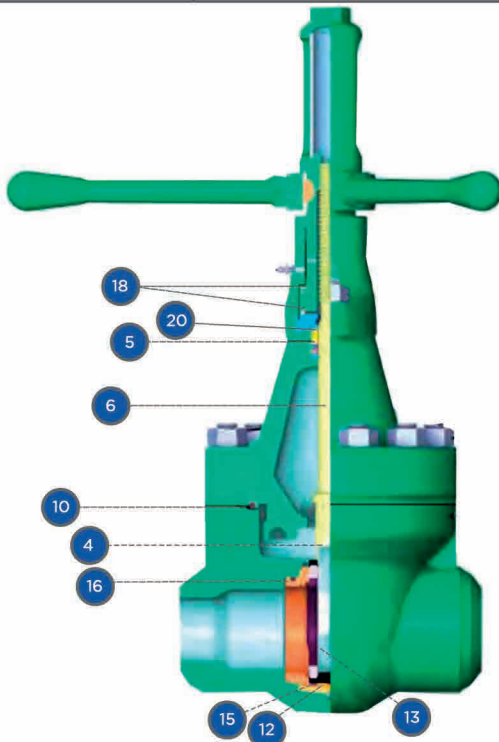
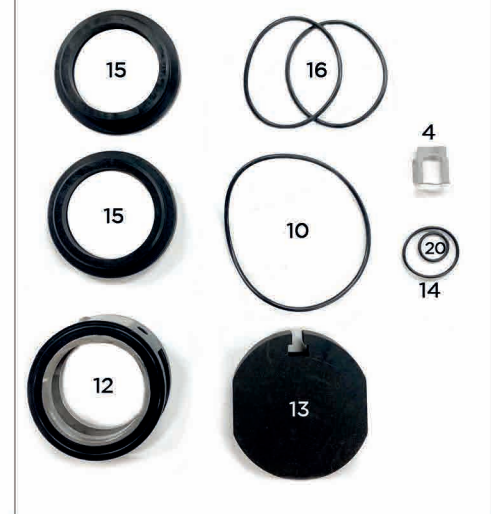
MAJOR REPAIR KIT



MINOR REPAIR KIT

	PART #	DESCRIPTION	QTY
4	DGV - M450505	Gate Clip	1
10	DGV - 2712426-11	Bonnet Seal	1
12	DGV - 2139746-01	Seat	1
13	DGV - 2171267-01	Gate	1
15	DGV - M452290	Body Wear Ring	2
16	DGV - 2712787-04	Wear Ring Seal	2

MINOR REPAIR KIT



@midlandoiltool

@midlandoiltools



www.m-o-t.com

DEMCO® DM STYLE GATE VALVES

Minor Repair Kit: Includes expendable items that require periodic replacement.

Major Repair Kit: Includes items in the minor repair kit plus items generally required during a major valve over-haul.

Fabricated and Tested in Accordance with API Spec 6A, NACE MR0175, our repair kits are supplied with full traceability.

