



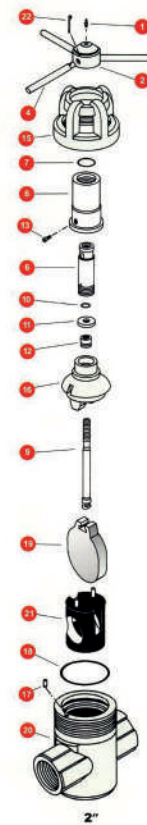
DEMCO® DM STYLE GATE VALVES



www.m-o-t.com

MAJOR & MINOR REPAIR KIT 2", 5,000 PSI

2" 5000 W.P (REDUCED PORT)		5000 WP		
REF	DESCRIPTION	WT	2"	2"
1	LUBE FITTING Steel	1#	5195	
2	HUB ASSEMBLY Steel	5#	14687	
4	LOCK HANDLE Steel	1#	1891	
6	STEM SCREW Steel	3#	1913	
7	STEM SCREW SEAL ■ Buna N	1#	5530 - 224	
8	SCREW HOUSING Steel	4#	1848	
9	STEM ■ 303 SS ■ 316 SS	1#	1931 - 002 1931 - 008	
10	SSECONDARY SEAL ■ Buna N	1#	5530 - 210	
11	RETAINER ■ Steel	1#	1940	
12	STEM SEAL ASSEMBLY (Includes Bronze Bushing) ■ Buna N ■ Viton	1#	1949 - 001 1949 - 006	
13	LOCK SCREW Steel	1#	5665 - 22004	
15	COUPLING WCB Steel	16#	1446 - 020	1445 - 030
16	BONNET ANSI 1029 Steel Uncoated	7#	1237-020	
17	INDEX PIN Steel	1#	1981	
18	BONNET SEAL ● Buna N ■ Viton	1#	5530 - 342 5531 - 342	
19	GATE ● Steel, Nickel Plated ■ 316 SS	3#	1887 - 002 1887 - 008	
20	BODY, UNCOATED Steel SCREWED - API -LP FULL PORT WELD - SCH 80 - SCH XXH - SCH 160 FLANGED - RTJ	29# 29# 73#	1285 - 020 1307 - 120 1307 - 220 1307 - 520 2039 - 120	1271 - 030 1309 - 130 1309 - 230 1309 - 530 1510 - 230
21	SEAT Steel ● - Buna N ■ - Viton 316 ss - Buna N - Viton	1.5# 1.5#	1876 - 021 1876 - 022	1876 - 021 1876 - 022 1876 - 081 1876 - 082
22	PIN, LOCK HANDLE Steel	1#	5420 - 18728	
▲	REPAIR KIT 2" ● MINOR REPAIR KIT (3 PIECES) ■ MAJOR REPAIR KIT (8 PIECES)		5,000 PSI MJ02521601221 MJ02521611221	



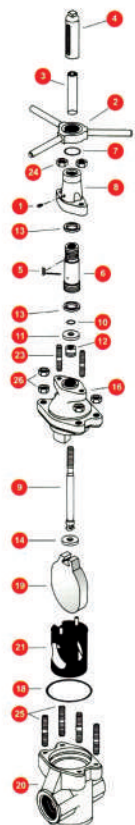
@midlandoiltool @midlandoiltools

www.m-o-t.com

MAJOR & MINOR REPAIR KIT 4", 5,000 PSI

4" 5000 W.P. (REDUCED PORT)			
REF	DESCRIPTION	WT	5" X 4"
1	LUBE FITTING Steel	1#	5195
2	HANDLE ASSEMBLY Steel	11#	7414
3	ACT TUBE Acrylic	1#	7459
4	STEM CAP Ductile Iron	3#	7411
5	KEY Steel	1#	5305 - 10016
6	STEM SCREW Steel	4#	7416
7	STEM SCREW SEAL Buna N	1#	5530-226
8	SCREW HOUSING Steel	9#	7418
9	STEM 303 SS 316 SS	3# 3#	7439 - 002 7439 - 008
10	SECONDARY SEAL Buna N	1#	5530 - 214
11	RETAINER Steel	1#	7413
12	STEM SEAL ASSEMBLY (Includes Bronze Bushing) Buna N Viton	2#	1951 - 001 1951-006
13	BEARING (2) Teflon/Phenolic	1#	7426
14	DOWN STOP RING 303 SS	1#	7417
16	BONNET ANSI 1029 Steel Uncoated	62#	7419 - 030
18	BONNET SEAL Buna N Viton	1# 1#	5530 - 439 5531 - 361

4" 5000 W.P. (REDUCED PORT)			
REF	DESCRIPTION	WT	5" X 4"
19	GATE Steel, Nickel Plated 316 SS	9#	1926 - 002 1926 - 008
20	BODY * UNCOATED Steel SCREWED - API LP FULL PORT WELD - FULL PORT 4" - SCH 80 - SCH XXH - SCH 160 FLANGED - RTJ WELD - REG. PORT - 5" X 4" - SCH 80 - SCH XXH - SCH 160 WELD - REG. PORT - 5" X 4" - SCH 80 - SCH XXH - SCH 160	120# 120# 260# 116# 114#	1246 - 030 1288 - 130 1288 - 230 1288 - 530 17288 - 230 1249 - 130 1249 - 230 1249 - 530 17287 -130 17287 - 230 17287 - 530
21	SEAT Steel 316 SS - Buna N - Viton - Buna N - Viton	6# 6#	2207 - 021 2207 - 022 2207 - 081 2207 - 082
23	BONNET STUD (2) A 193 B7 Steel	1#	2072
24	BONNET STUD NUT (2) Carbon Steel A 194 2H	1#	53251 - 036
25	BODY STUD (4) AISI 4140 HT Steel	5#	2077
26	BODY STUD NUT (4) Carbon Steel AISI 414004142	2#	15432
	BONNET ASSEMBLY With Gate	102#	1890
REPAIR KIT 4" ● MINOR REPAIR KIT (3 PIECES) ■ MAJOR REPAIR KIT (8 PIECES)			5,000 PSI MJ02521604221 MJ02521614221

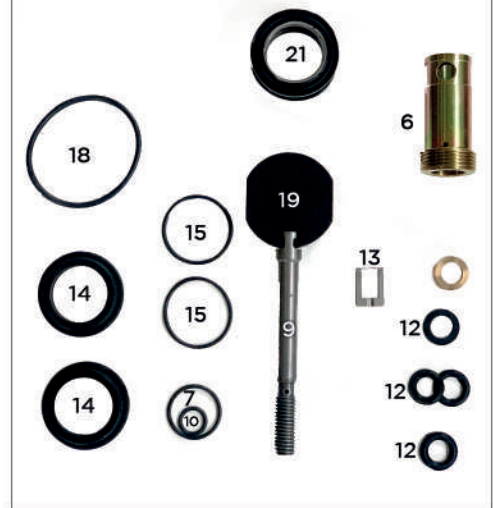


MAJOR & MINOR REPAIR KIT 2", 7,500 PSI

MAJOR REPAIR KIT

	PART #	DESCRIPTION	QTY
6	DGV - J001913	Stem Screw	1
7	DGV - J005526-224	Housing Seal	1
9	DGV - J024983-107	Stem	1
10	DGV - 2712425-13	Secondary Seal	1
12	DGV - J023231-008	Stem Seal Assembly	1
	DGV - J023231-006	(with bronze bushing)	
13	DGV - M450480	Gate Clip	1
14	DGV - 2269414-01	Body Wear Ring	2
15	DGV - 2712425-18	Wear Ring Seal	2
18	DGV - 2712425-60	Bonnet Seal	1
19	DGV - 2269412-01	Gate	1
21	DGV - J2269403-01	Seat	1

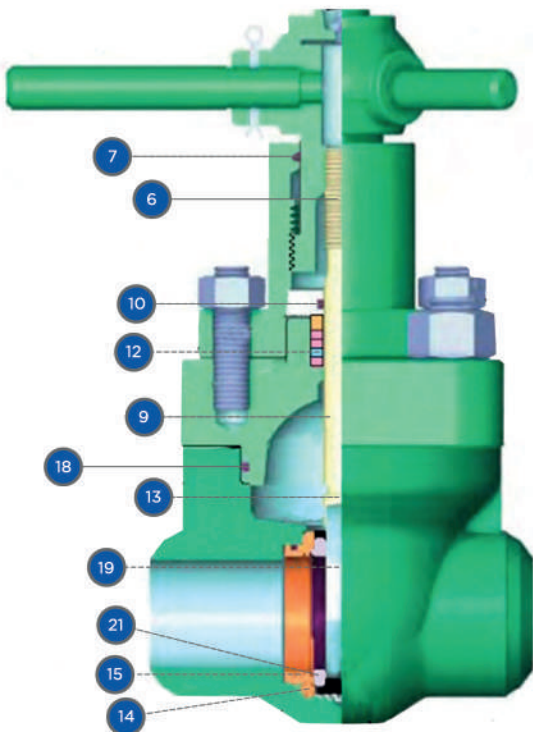
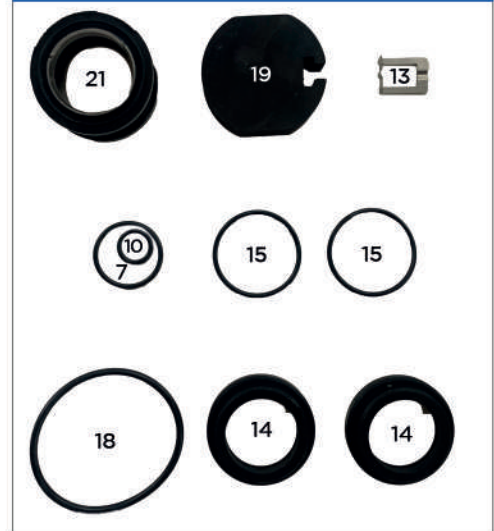
MAJOR REPAIR KIT



MINOR REPAIR KIT

	PART #	DESCRIPTION	QTY
13	DGV - M450480	Gate Clip	1
14	DGV - 2269414-01	Body Wear Ring	2
15	DGV - 2712425-18	Wear Ring Seal	2
18	DGV - 2712425-60	Bonnet Seal	1
19	DGV - 2269412-01	Gate	1
21	DGV - 2269403-01	Seat	1

MINOR REPAIR KIT



@midlandoiltool @midlandoiltools

www.m-o-t.com

MAJOR & MINOR REPAIR KIT 4", 7,500 PSI

MAJOR REPAIR KIT

	PART #	DESCRIPTION	QTY
4	DGV - M450505	Gate Clip	1
5	DGV - J015853-008	Stem Seal Assembly	1
	DGV - J015853-006	(with bronze Bushing)	
6	DGV - 2140684-01	Stem	1
10	DGV - 2712426-11	Bonnet Seal	1
12	DGV - 2139746-01	Seat	1
13	DGV - 2171267-01	Gate	1
14	DGV - J005526-228	Housing Seal	1
15	DGV - M452290	Body Wear Ring	2
16	DGV - 2712787-04	Wear Ring Seal	2
18	DGV - J0023888	Stem Screw with Bearings	1
20	DGV - 2726268-01	Secondary Seal	1

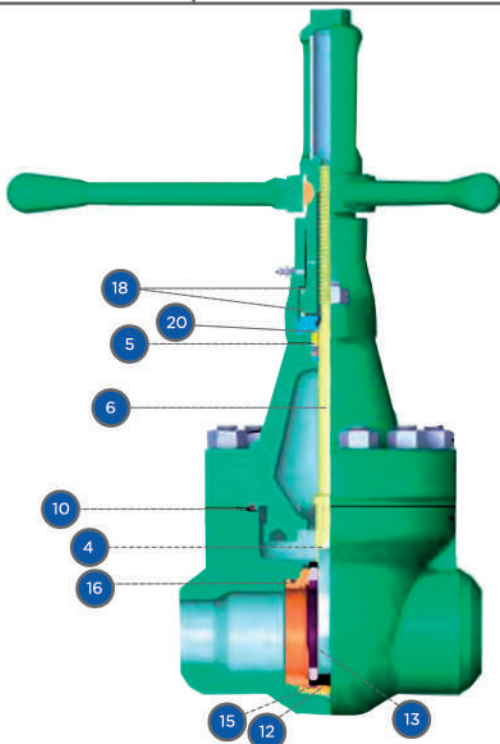
MAJOR REPAIR KIT



MINOR REPAIR KIT

	PART #	DESCRIPTION	QTY
4	DGV - M450505	Gate Clip	1
10	DGV - 2712426-11	Bonnet Seal	1
12	DGV - 2139746-01	Seat	1
13	DGV - 2171267-01	Gate	1
15	DGV - M452290	Body Wear Ring	2
16	DGV - 2712787-04	Wear Ring Seal	2

MINOR REPAIR KIT



@midlandoiltool

@midlandoiltools



www.m-o-t.com